

# WATERLESS™

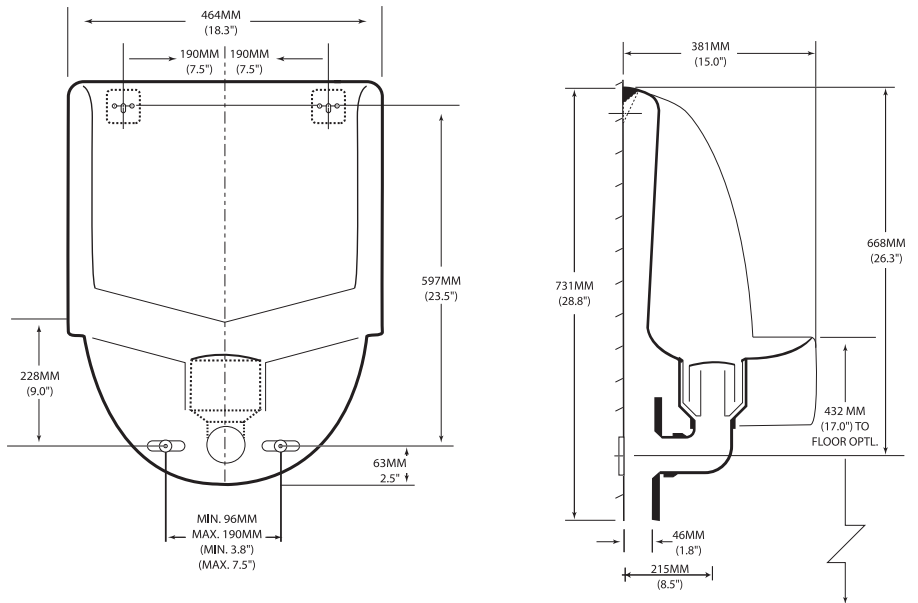
*Unlike Any Other!*

## Yukon™

Model # 2101



### DIMENSIONAL DRAWING



### General Specifications

Urinal to be Waterless Co. No-Flush™ urinal Model #2101 Yukon™, wall hung, made of Vitreous China material (VC). Urinal to have elongated rim, a full 2" ceramic interior drain and 2" flanged waste outlet; suitable for direct connection to a 2" waste at the wall. Trap insert to be of a vertical flow type with 360 degree perimeter openings and installed by press fit. Trap must be replaceable and refillable. Trap inserts are to be removed with a two pronged heavy duty stainless steel tool. Urinal to be fastened at the bottom front using standard bolts from brass urinal flange. The bottom of the urinal is to be fully enclosed. Complies with ADA, ANSI Z124.9, A112.19.19, CSA®, others. Supplied vertical EcoTrap® insert required. Mount at 17" above finished floor to lip of urinal or as required by architect, ADAAG. Center drain line to be at 8" off finished floor. Supply suitable wall support, i.e. carrier. Install and maintain as per manufacturer's instructions. Urinal 2" drain outlet installs and drains to 2" flanged waste. Retrofit or new construction. Color: Sanitary white. Approx. Weight: 58 Lbs. Use standard sanitation practices to maintain fixture.

### Furnished complete with:

Two unit integrated wall hangers, AllFlange™ slots for flange bolts, fastening hardware, gasket and **two EcoTraps®**, vertical trap design. Adequate BlueSeal® trap liquid to be provided for EcoTrap® of urinal, not furnished. **Minimum 3 Year Limited Warranty Required.**

### Note:

Urinal is predrilled to accept most 2" brass flanges from other manufacturer's urinals in a retrofit scenario. On site custodial training is to be provided by the manufacturer or their representative. Certificates of training are to be issued and forwarded to the owner.

If a commercial carrier is required, Waterless Co. recommends fixture supports by Jay R. Smith #0636, #0637; Watts #CA-311, #CA-321; Josam #17810, #17830.

*In keeping with our policy of product improvement, Waterless Co. reserves the right to change product specifications at any time without notice. Specification user is responsible for requesting updated information.*



**EcoTrap® Inside!**

### Approval:

Architect/Engineer: \_\_\_\_\_

Job: \_\_\_\_\_

Customer: \_\_\_\_\_

Location: \_\_\_\_\_

Contractor: \_\_\_\_\_

Distributor: \_\_\_\_\_

Date: \_\_\_\_\_

Models Specified: \_\_\_\_\_ Qty: \_\_\_\_\_

Color: Sanitary White \_\_\_\_\_ Other \_\_\_\_\_

EcoTrap®: \_\_\_\_\_ BlueSeal®: \_\_\_\_\_